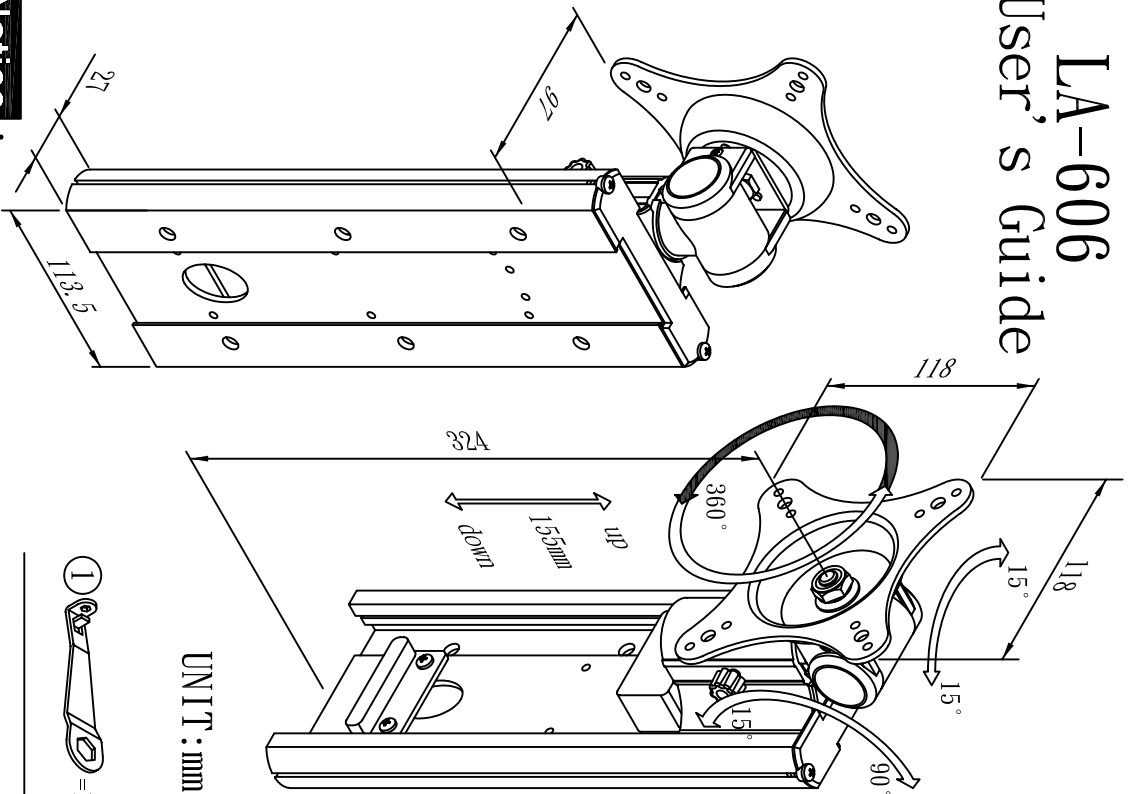


LA-606 User's Guide



UNIT : mm

Notice :

The adjustment of the screw has been made before out of the factory. Loosening the screw will cause the stand bent downwards. Please note if the monitor will be hit.

- | | | | |
|---------------------------------|---------|---------------------------------------|---|
| | ① | | ② |
| | =1 | | ③ |
| | 4X18=4 | | ④ |
| | 4X10=4 | | ⑤ |
| | 11X35=6 | | ⑥ |
| <small>(expansion bolt)</small> | | | |
| | 5X20=6 | | |
| <small>(screw for wall)</small> | | | |
| | | <small>(screw for wood board)</small> | |

