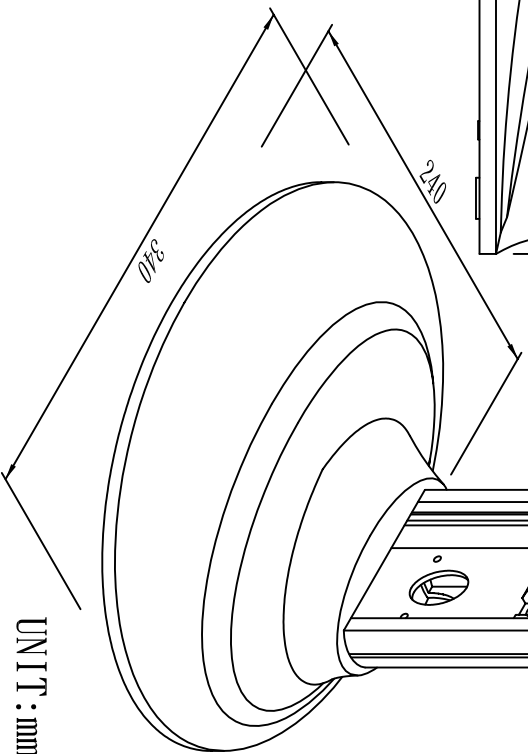
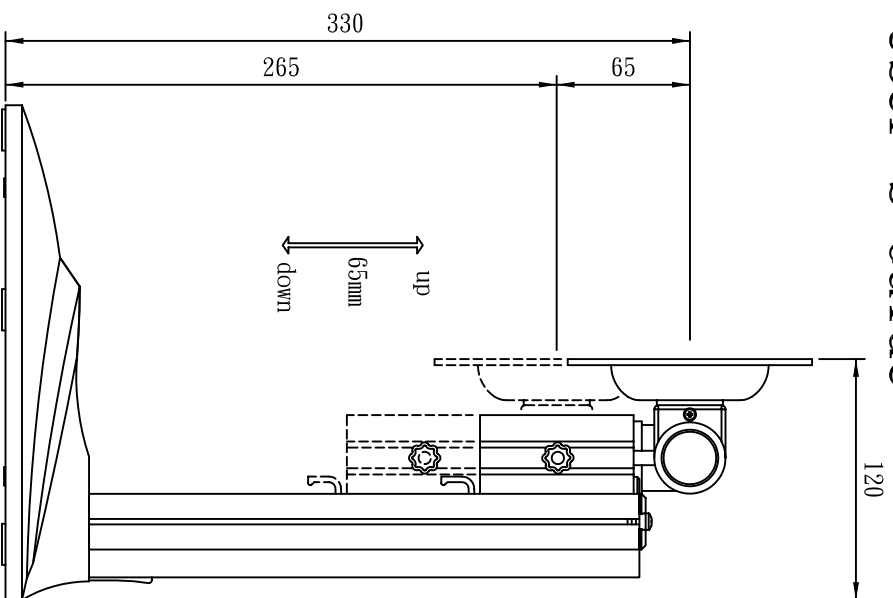


LA-600A User's Guide



Notice :
The adjustment of the screw has been made before out of the factory. Loosening the screw will cause the stand bent downwards.
Please note if the monitor will be hit.

- ① = 1
- ② 4X18=2
- ③ 4X10=4
- ④ = 1

1

2

3

The monitor cannot be pulled out after the screw are fastened.

4

Step 4:
check every screw to confirm fastening thereof

5

6