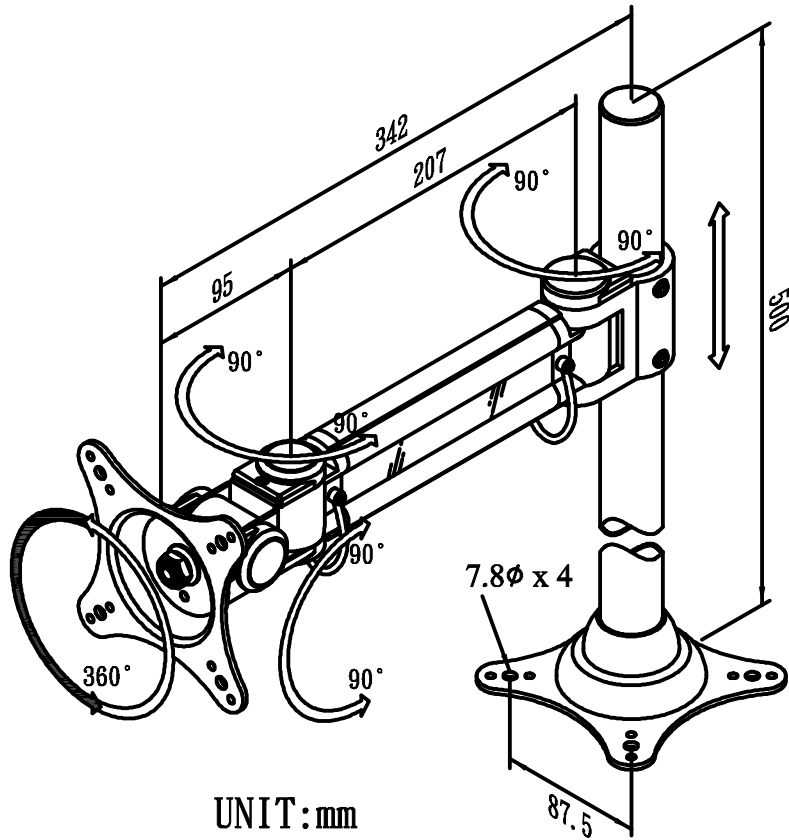


LA-302 User's Guide



Notice :

The adjustment of the screw has been made before out of the factory.

Loosening the screw will cause the stand bent downwards.

Please note if the monitor will be hit.

